

ASM EVO

SPIRAL MIXER WITH FIXED BOWL

MIXER
ART OF MIXING

PROFESSIONAL

CAPACITY (kg)

- 60
- 80
- 100
- 130
- 160
- 200
- 250

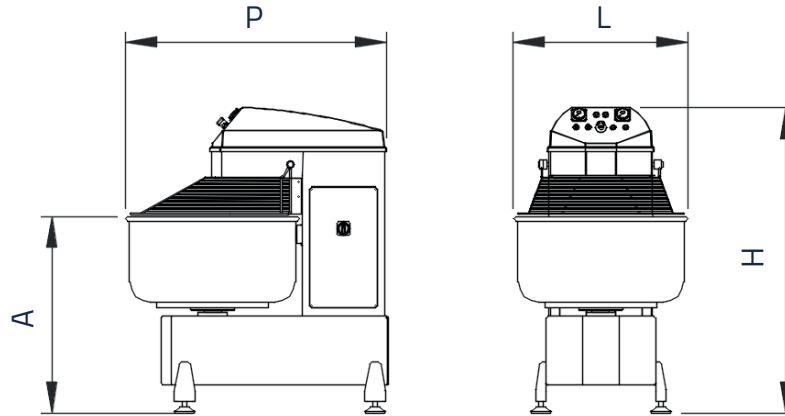


ASM EVO

SPIRAL MIXER WITH FIXED BOWL

PROFESSIONAL

TECHNICAL FEATURES



TECHNICAL DATA

MODEL		ASM EVO 60	ASM EVO 80	ASM EVO 100	ASM EVO 130	ASM EVO 160	ASM EVO 200	ASM EVO 250
Dough capacity (min./max) *	kg	5/60	8/80	8/100	10/130	10/160	10/200	15/250
Flour capacity (min./max) *	kg	3/38	5/50	5/62	6/80	6/100	6/125	9/150
Water capacity (min./max) *	lt	2/22	3/30	3/38	4/50	4/60	4/75	6/100
Bowl volume	lt	100	135	155	205	260	285	380
% water/flour minimum	%	50	50	50	50	50	50	50
Spiral turns 1st /2nd speed (50/60hz)	rpm	93/184	98/194	98/194	98/194	92/182	92/182	92/183
Bowl turns 1st / 2nd speed (50/60Hz)	rpm	10.5/21	10/20	10/20	9.5/19	9/18	9/18	9/18
Motor power 1st / 2nd speed	kw	2.35/3.25	2.9/5.3	2.9/5.3	3.6/6.3	4.6/7.4	4.6/7.4	5.4/8.6
Current drawn V 230 / V 400	A	12/7.8	20.5/12	20.5/12	23.5/15	34/17.2	34/17.2	34/20.5
Spiral bar diameter	mm	30	35	35	40	48	48	48
Height from bowl edge	A mm	890	900	955	950	927	957	990
Total depth	P mm	1040	1190	1190	1275	1460	1460	1565
Total width	L mm	635	745	745	845	945	945	1045
Total height	H mm	1360	1415	1415	1470	1500	1500	1500
Net weight	kg	300	390	395	460	650	650	680

*. capacity based on the percentage of liquid/flour = 60%

All data are to be considered as nominal, MIXER srl reserves the right to make any changes to the product and/or technical specifications without notice.

STANDARD FEATURES

- Painted steel structure raised from the ground on 4 adjustable feet.
- Bowl, spiral, contrast column and guard made in stainless steel.
- Two independent 2-speed motors for spiral and bowl.
- Movement is transmitted by pulleys and V-belts.
- Bowl thrust roller.
- Frontal control with two timers.
- Setting of work time with automatic shift from 1st to 2nd speed.
- Selector to reverse bowl.
- Impulse button to rotate bowl for product removal.
- Selector to activate second bowl speed.

ON REQUEST

- Stainless steel structure with micro shot-peening treatment.
- Computer with 7" monitor (able to program 100 recipes and to work in manual or automatic mode).
- Spiral tool with oversized bar (not available on ASM 60 EVO).
- Spiral uprated motor (not available on ASM 60 EVO).
- Dough temperature probe.
- Bowl lid made of stainless steel with airtight polyethylene rim.
- Bowl scraping device.
- Machine mounted on wheels (2 fixed rear wheels and 1 front pirouetting wheel).
- Special voltage/frequency 230/50 - 220/60- 380/60.
- Packaging in wooden crate.