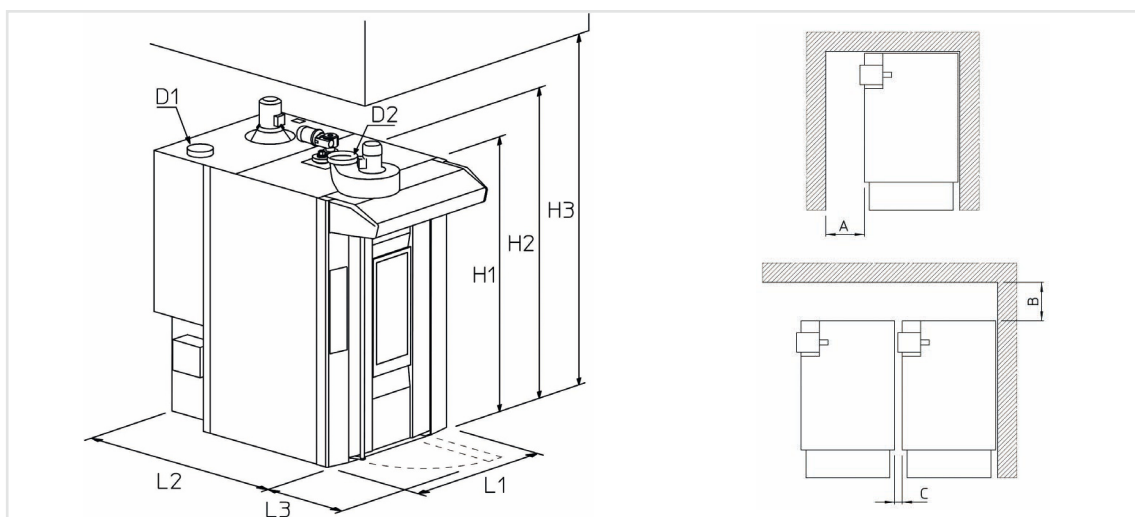


# ROTO AVANT HR



- Modular steam generator, with cascade elements with spheres (great steam production)
- Steamers with automatic feed
- Hood with potentiated exhaust fan
- Door (thickness 140 mm) with double glazing, double locking point and double silicon and structural steel gasket
- Radiant combustion chamber and large exchange surface area (SC)
- Heat exchanger with armored heating elements. (SE)
- Standard rotation device with hook
- (for ergonomic reasons it's recommended for racks up to 100 kg full load)
- Electric board with extended cables to hang it on oven's sides
- Independent pressure pipes, partitions and flow directioners of the cooking chamber
- Oven with burner on the right is available (optional)(Excluded 80120)
- Preset for automatic lifting group by lever (optional) (Excluded 80120)
- Racks height 1920 mm
- Standard st/st exterior panel
- Maximum temperature 300°C
- Burner side on the left and door hinges on the right
- Upper hitch with wide hook Polin with extended shaft to adapt the height to your own racks

POWER INLET	400V/3N~/50
FUME EXHAUST	Ø 200
STEAM EXHAUST	Ø 250



Tipo forno Oven		L1 mm	L2 mm	L3 mm	H1 mm	H2 mm	H3 mm	A mm	B mm	C mm	Scarico fumi Fume exhaust D1 Ø mm	Scarico vapore Steam exhaust D2 Ø mm
6080	SC	1450	1980	910	2300	2670	2840	600	600	120 (*)	200	250 (***)
	SE							1000	0	0 (**)	-	250 (***)
80100	SC	1730	2270	1120	2400	2790	2980	600	600	50 (*)	200	250 (***)
	SE							1000	0	0 (**)	-	250 (***)
80120	SC	2000	2580	1120	2400	2790	2980	600	600	50 (*)	200	250 (***)
	SE							1000	0	0 (**)	-	250 (***)

(\*) Distanza minima con bruciatore Riello a gas (per facilitare la manutenzione si consiglia di aumentare la quota di almeno 100 mm)  
Minimum distance with Riello gas burner (for easier maintenance we suggest to increase the distance at least 100 mm)

(\*\*) Per eventuale sostituzione gruppo resistenze è necessario spostamento forno  
To replace the electric elements group it is necessary to move the oven

(\*\*\*) Diametro minimo tubazione = 200 mm / Minimum diameter pipe = 200 mm

	Pan capacity		Pan size	Minimum door width	Weight	SC version		SE version	
	n°	passo	mm	mm	kg	kW	kcal/h	kW	kW
<b>ROTO AVANT HR 6080</b>	16	105	600x800	500	1450 SC 1400 SE	2,0	60.000	50,5	60,3
	18	93	2x600x400						
<b>ROTO AVANT HR 80100</b>	16	105	800x1000	840	1900 SC 1850 SE	3,0	80.000	65,8	-
	18	93							
<b>ROTO AVANT HR 80120</b>	16	105	800x1200 2x600x800	800	2220 SC 2150 SE	3,4	95.000	84,2	-
	18	93							